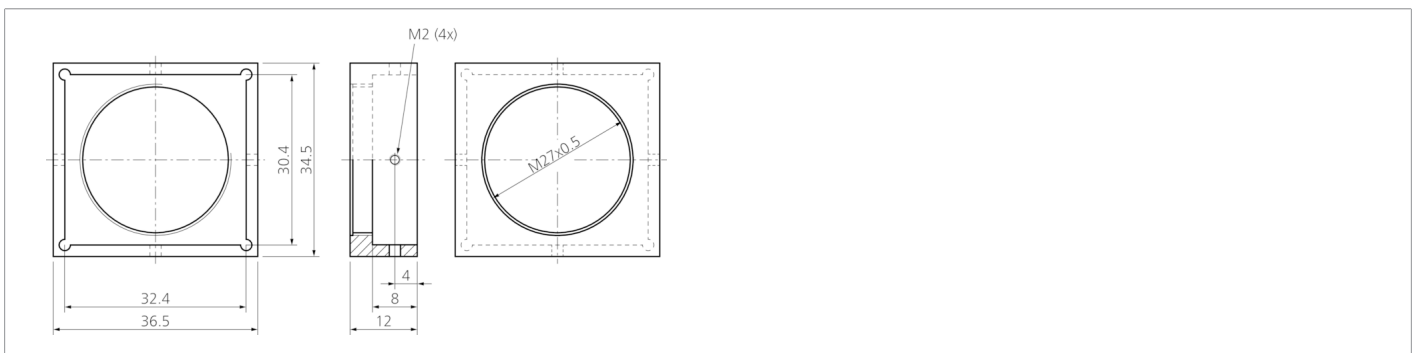
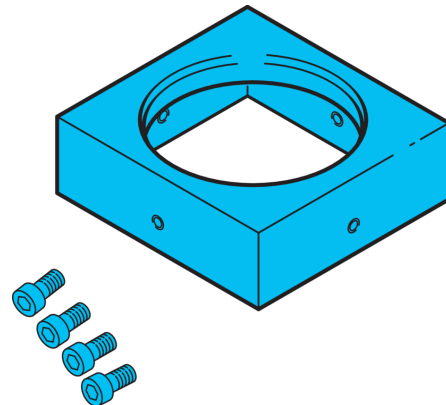




**206973**  
**BEK 1-P-27**  
**Holder for filter disk**

- Reliable and quick installation of filter discs on BEK-P... spot-light
- Robust design
- Aluminum housing



Function													
													<b>CE</b>

Technical data (typ.)		+20°C, 24 V DC
Housing dimensions		36.5 x 34.5 x 12 mm
Thread		M27 x 0.5
Housing material		Aluminum (Black, Anodized)
Weight		15 g
Component		Holder for filter disk
To be used for		Spotlights BEK-Pxx ... (axial)
Scope of delivery		Holder for filter disk, 4 cylinder head screws M2
More information / accessories		<a href="https://www.di-soric.com/206973">https://www.di-soric.com/206973</a>