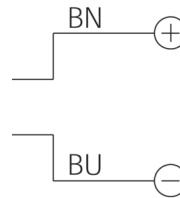
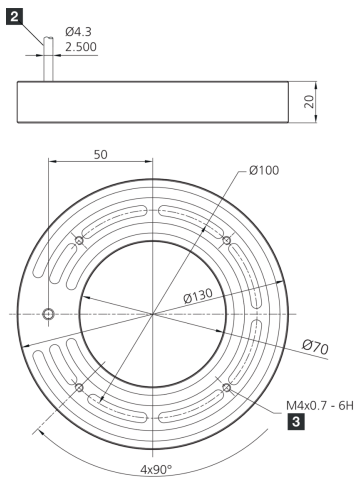




207145
BE-R70-F1-K-CLR
Ringlight

- High excess current factor
- Pulsed mode for inspection of fast moving objects
- Extremely powerful light for high depth of field
- Long life thanks to intelligent thermal management
- Homogeneous luminous field
- High protection type IP 67
- Robust metal housing



Betrieb ausschließlich mit
Flash-Controller an einem
Supply Class 2 - Netzteil!
Use only with flash
equipment driven by a
power supply *Class 2*!
A utiliser exclusivement
avec un contrôleur
d'impulsion connecté a
une alimentation *Class 2*!

1) 6 mm deep

2) Connection cable

Function



Technical data (typ.)

+20°C, 24 V DC

Power consumption (in pulse / max.)	96.0 W
Energization factor (in pulse / max.)	8
Energization (in pulse / max.)	6000 mA
Service voltage	No constant voltage!
Inverse polarity protection	Yes
Insulation voltage endurance	500 V
Diameter	Ø 70 / Ø 130 mm (Diameter)
Height	20 mm
Housing material	Aluminum (Black, Anodized)
Material	<ul style="list-style-type: none"> ■ Polyurethane (Cable) ■ PMMA, clear (Protection optics)
Risk group (DIN EN 62471)	Free group
Approvals	UL
Design	Ringlight
Light source	LED
Color	red (clear)
Wavelength	633 nm
Deflection angle FWHM	30°



207145
BE-R70-F1-K-CLR
Ringlight

Technical data (typ.)	+20°C, 24 V DC
Light intensity	<ul style="list-style-type: none"> ■ 7.20 kLx (200.0 mm / 100 %) ■ 28.8 kLx (200.0 mm / 400 %) ■ 55.0 kLx (200.0 mm / 800 %) ■ 2.60 kLx (500.0 mm / 100 %) ■ 10.0 kLx (500.0 mm / 400 %) ■ 20.0 kLx (500.0 mm / 800 %)
Control	Flashable by means of flash controller
Shock/vibration load	30 g, 11 ms / 10 ... 55 Hz, 1.0 mm
Ambient temperature during operation	0 ... +40 °C
Protection type	IP 67
Connection	Cable, 2.5 m (flying leads, Use only with flash controller!)
More information / accessories	https://www.di-soric.com/207145