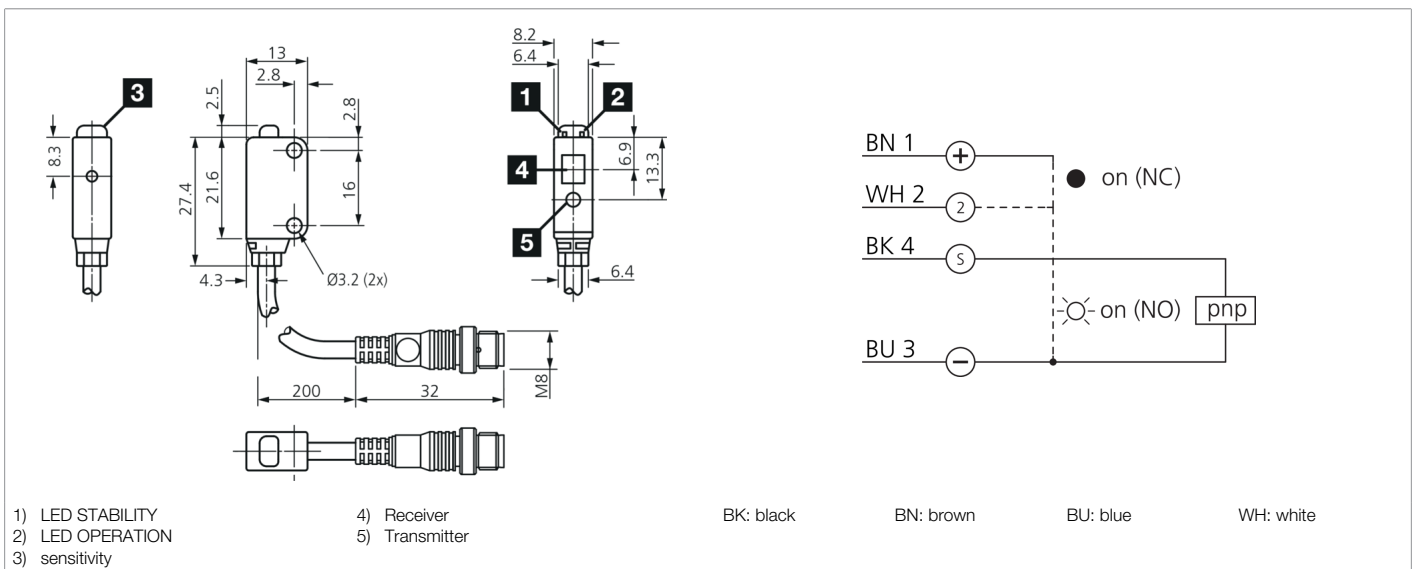




**207264**  
**LR 21 K 4000 P3-K-T4**  
**Laser retroreflective sensor**

- Long ranges with a small design
- High resolution
- Visible red light with small light spot
- Sensitivity is adjustable
- LED switching status display
- Reflector included



Function									

Technical data (typ.)	+20°C, 24 V DC
Service voltage	10.8 ... 26.4 V DC
No-load current (max.)	15 mA
Insulation voltage endurance	1000 V
Housing dimensions	22 x 13 x 8.5 mm
Housing length	13 mm
Housing height	22 mm
Housing width	8.5 mm
Housing material	Plastic
Material	Acrylic (Window)
Protection class	III, operation on protective low voltage
Operating principle	Retroreflective sensor
Evaluation	digital
Design	Cuboid design
Switching output	pnp, 50 mA, NO/NC
Light source	Laser
Color	Red
Wavelength	655 nm
Modulation	Clocked
Ambient light immunity	3 kLx



**207264**

**LR 21 K 4000 P3-K-T4**

**Laser retroreflective sensor**

<b>Technical data (typ.)</b>	<b>+20°C, 24 V DC</b>
Range	0 ... 4000 mm
Referring reflector	RL 45 x 30 (included)
Sensitivity adjustment	Potentiometer
Switching frequency	1000 Hz
Response time	0.50 ms
Ambient temperature during operation	-10 ... +55 °C
Protection type	IP 67
Connection	Pigtail, 0.2 m, M8, 4-pin
<b>More information / accessories</b>	<b><a href="https://www.di-soric.com/207264">https://www.di-soric.com/207264</a></b>