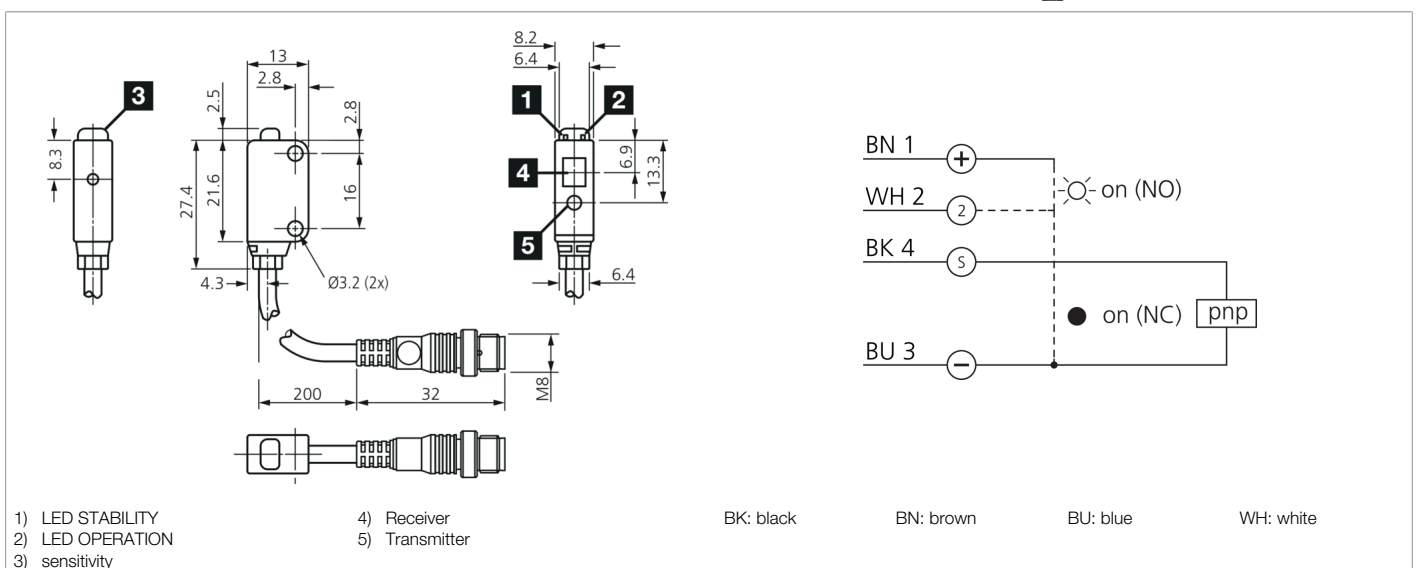




207270
LLT 21 K 70 P3-K-T4
Line laser diffuse sensor

- Long ranges with a small design
- High resolution
- Visible red light with small light spot
- Sensitivity is adjustable
- LED switching status display



Function									

Technical data (typ.)	+20°C, 24 V DC
Service voltage	10.8 ... 26.4 V DC
No-load current (max.)	15 mA
Insulation voltage endurance	1000 V
Housing dimensions	22 x 13 x 8.5 mm
Housing length	13 mm
Housing height	22 mm
Housing width	8.5 mm
Housing material	Plastic
Material	Acrylic (Window)
Protection class	III, operation on protective low voltage
Operating principle	Retroreflective diffuse sensor
Evaluation	digital
Design	Cuboid design
Switching output	pnp, 50 mA, NO/NC
Light source	Laser
Laser class	1 (IEC 60825-1)
Color	red
Wavelength	655 nm
Modulation	Clocked



207270
LLT 21 K 70 P3-K-T4
Line laser diffuse sensor

Technical data (typ.)	+20°C, 24 V DC
Ambient light immunity	3 kLx
Scanning range	20 ... 70 mm
Resolution	1 x 5 mm (with operating range 50 mm)
Switching hysteresis (max.)	20 %
Sensitivity adjustment	Potentiometer
Switching frequency	1000 Hz
Response time	0.50 ms
Ambient temperature during operation	-10 ... +55 °C
Vibration/shock resistance	10 ... 500 Hz / 1.5 mm / 10 G
Protection type	IP 67
Connection	Pigtail, 0.2 m, M8, 4-pin
Connection cable	TK ... /4
More information / accessories	https://www.di-soric.com/207270