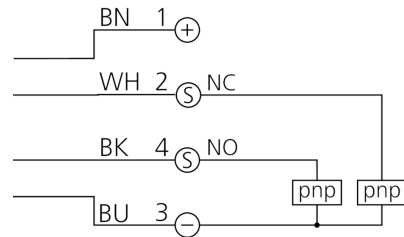
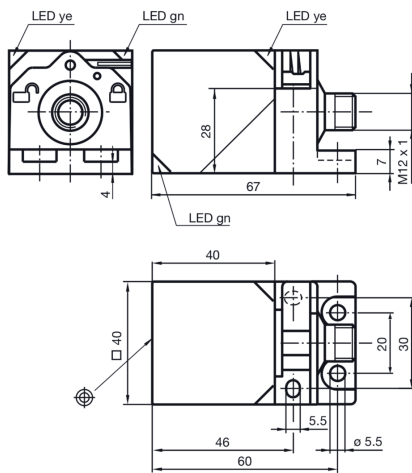




**207279**  
**DCCR 44 K 20 PSOL-IBS**  
**Inductive proximity sensor**

- Sensor probe pivotable as well as rotatable
- Quick mounting bracket
- Integrated amplifier
- Protection against short-circuit and reverse polarity
- Starting pulse suppression
- LEDs for service voltage and switching status
- 4-way LED indicator for 360° visibility



1) Sensing surface  
 2) LED: green

3) LED yellow

BK: black

BN: brown

BU: blue

WH: white

**Function**



**Technical data (typ.)**

**+20°C, 24 V DC**

Current-carrying capacity	short-circuit-proof, polarity-safe
Service voltage	10 ... 30 V DC
Internal power consumption	< 20 mA
Installation type	Flush
Housing dimensions	40 x 40 mm
Housing length	67 mm
Housing height	40 mm
Housing width	40 mm
Housing material	Plastic (PA)
Protection class	III, operation on protective low voltage
Operating principle	inductive
Evaluation	digital
Design	Cuboid design
Product series	INE Extended
Switching output	pnp, 200 mA, antivalent
Voltage drop (max.)	2 V
Switching distance (SN)	20 mm
Standardized measuring plate	60 x 60 x 1 mm
Switching hysteresis (max.)	5 %



**207279**

**DCCR 44 K 20 PSOL-IBS**

**Inductive proximity sensor**

<b>Technical data (typ.)</b>	<b>+20°C, 24 V DC</b>
LED Anzeige	Yes
Switching frequency	0 Hz ... 150 Hz
Ambient temperature during operation	-25 ... +85 °C
Protection type	IP 69K
Connection	Connector, M12, 4-pin, A-coded
<b>More information / accessories</b>	<b><a href="https://www.di-soric.com/207279">https://www.di-soric.com/207279</a></b>