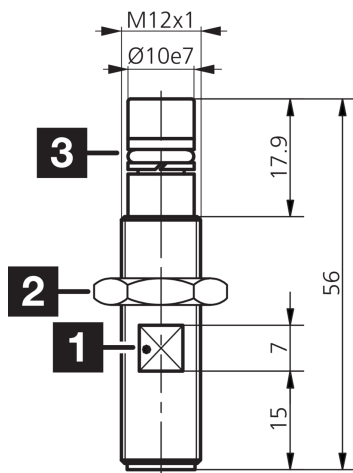




207467
DCC 12 VHD 2 PS-B3-56-7
Inductive proximity sensor

- High-pressure resistant version up to 500 bar
- High-temperature resistant up to 100 °C permanent temperature
- Housing and sensing face made of stainless steel
- Integrated amplifier
- Short-circuit protection
- Starting pulse suppression



1) Width over flats 17 mm
 2) Width over flats 10 mm

3) O-ring + support ring

BK: black

BN: brown

BU: blue

Function



Technical data (typ.)

+20°C, 24 V DC

Service voltage	10 ... 30 V DC
Internal power consumption	< 10 mA
Insulation voltage endurance	500 V
Installation type	Flush
Thread	M12 x 1
Housing length	56 mm
Housing material	Stainless steel (V2A 1.4301 / AISI 304)
Protection class	III, operation on protective low voltage
Operating principle	inductive
Evaluation	digital
Design	Thread
Characteristics	< 500 bar, high-pressure resistant
Product series	INP High-pressure resistant
Switching output	pnp, 200 mA, NO
Voltage drop (max.)	2.4 V
Switching distance (SN)	2 mm
Standardized measuring plate	10 x 10 x 1 mm
Switching hysteresis (max.)	15 %
Switching frequency	400 Hz



207467

DCC 12 VHD 2 PS-B3-56-7

Inductive proximity sensor

Technical data (typ.)

+20°C, 24 V DC

Ambient temperature during operation

-25 ... +100 °C

Protection type

IP 68 / IP 69K

Connection

Connector, M12, 4-pin, A-coded

Connection cable

VK ...

More information / accessories

<https://www.di-soric.com/207467>