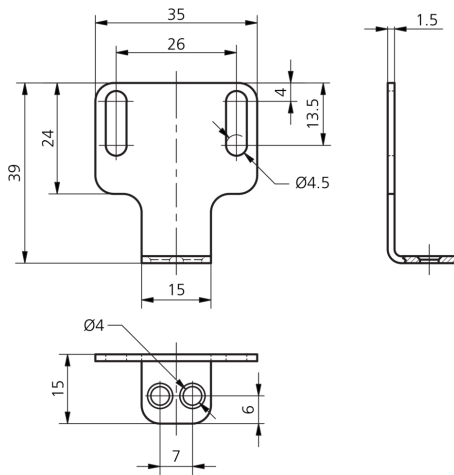
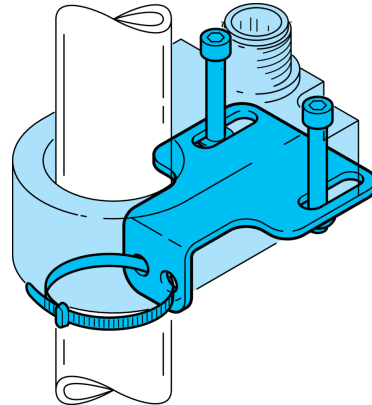



207483
BW-IR01
Mounting bracket

- For inductive ring sensors
- Adjustable
- Robust design
- Easy to install
- Mounting materials included in scope of delivery



1) Chamfer

Technical data (typ.)

| | |
|-------------------|-----------------------------------|
| Hole spacing | 26 mm |
| Mounting | Hole / slotted |
| Mounting diameter | Ø 4.5 mm |
| Housing material | Aluminum |
| Component | Mounting bracket |
| To be used for | IR 6 ... – IR 25 ... |
| Scope of delivery | Mounting bracket, Fixing material |

More information / accessories

<https://www.di-soric.com/207483>