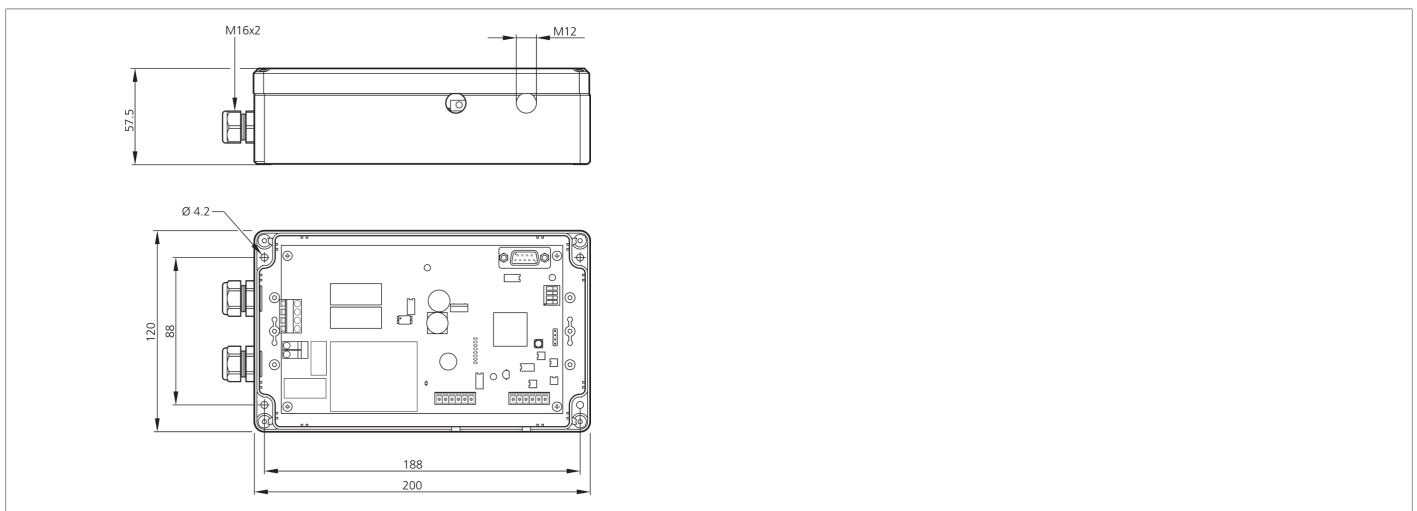






207724
LVB-230VAC
Evaluation electronics

- Evaluation electronics for one light grid LI ...
- Relative switching threshold, thus very reliable object detection
- Increased safety: Safe switch-off in case of contact sticking
- No fading out of errors
- 1 relay switching output
- Operating distance can be set by autocalibration
- Diagnosis LEDs
- Interface: RS232



Function											
											 

Technical data (typ.)	+20°C, 24 V DC
Service voltage	230 V AC (+ 5% / - 10%)
Quantity	1 (number of Light curtains to be operated)
Housing dimensions	200 x 120 x 57.5 mm
Housing material	Plastic (ABS, gray)
EMC directives	EN 61000-6-3:2001 / EN 61000-6-1:2001
Output function	Light switching
Switching output	Relays (1x)
Switching capacity	250 W (250 V DC) / 2000 W (400 V AC)
Beam evaluation	Multiplexing
Number of beams	500 (Max. evaluable)
Range	400 ... 6000 mm (Self-adjustment)
Display	LED (Status indicator and error indicator)
Cycle time per light beam	> 0.08 ms (abhängig von Reichweite und Parametrierung)
Switching frequency	10 Hz
Ambient temperature during operation	0 ... +40 °C
Protection type	IP 54
Connection	COMBICON, Socket, 1.8 m, 6-pin (coded)

More information / accessories	https://www.di-soric.com/207724
--------------------------------	---