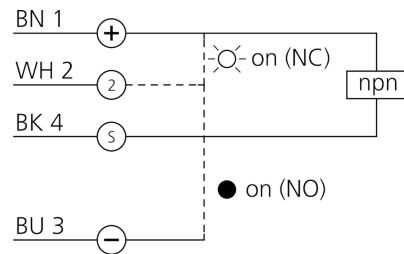
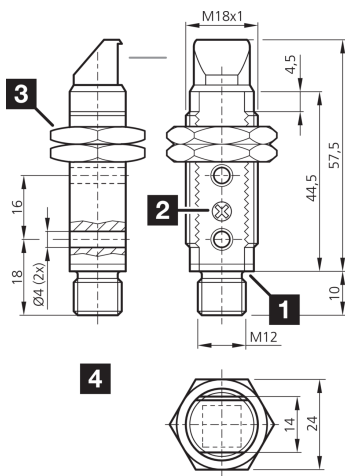


207971
OR 18-1 FMR 3600 N3-B4
Retroreflective sensor

- Angled optics
- Universal mounting options
- Low installation depth
- Sensitivity is adjustable
- LED switching status display
- Metal casing



- 1) Potentiometer
2) LED

- 3) Width over flats 24 mm
4) Lateral light emission

BK: black

BN: brown

BU: blue

WH: white

Function

Technical data (typ.)
+20°C, 24 V DC

Service voltage	10 ... 30 V DC
No-load current (max.)	30 mA
Thread	M18 x 1
Housing length	67.5 mm
Housing material	Metal
Material	PMMA (Window)
Protection class	III, operation on protective low voltage
Operating principle	Retroreflective sensor
Evaluation	digital
Design	Thread, Angled optics
Switching output	npn, 100 mA, NO/NC
Voltage drop (max.)	2 V
Light source	LED
Color	red
Wavelength	660 nm
Modulation	Clocked
Ambient light immunity	3 kLx Clocked light, 10 kLx Sunlight
Range	4000 mm



207971
OR 18-1 FMR 3600 N3-B4
Retroreflective sensor

Technical data (typ.)	+20°C, 24 V DC
Range during operation with	<ul style="list-style-type: none">■ 1800 mm (R55)■ 3600 mm (R 84)■ 4000 mm (R 100x100)
Referring reflector	R55 (included)
Sensitivity adjustment	Potentiometer
Switching frequency	1000 Hz
Response time	0.50 ms
Release time	0.50 ms
Ambient temperature during operation	-25 ... +55 °C
Protection type	IP 67
Connection	Connector, M12, 4-pin
More information / accessories	https://www.di-soric.com/207971