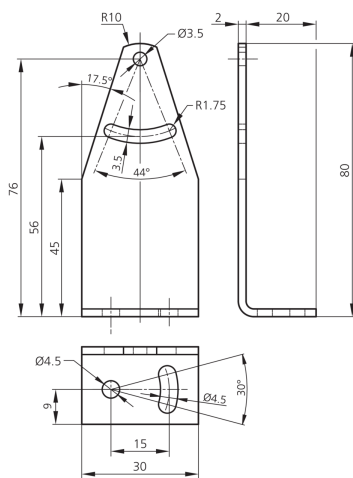
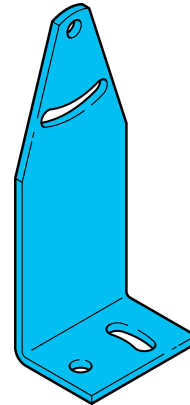


208206
BW 41-80
Mounting bracket

- Adjustable
- Robust design



Technical data (typ.)

Hole spacing	20 mm
Mounting	Hole / slotted
Mounting diameter	Ø 3.5 mm
Housing material	Metal
Component	Mounting bracket
To be used for	Device series O-40E Extended
Scope of delivery	Mounting bracket, Fixing material

More information / accessories

<https://www.di-soric.com/208206>