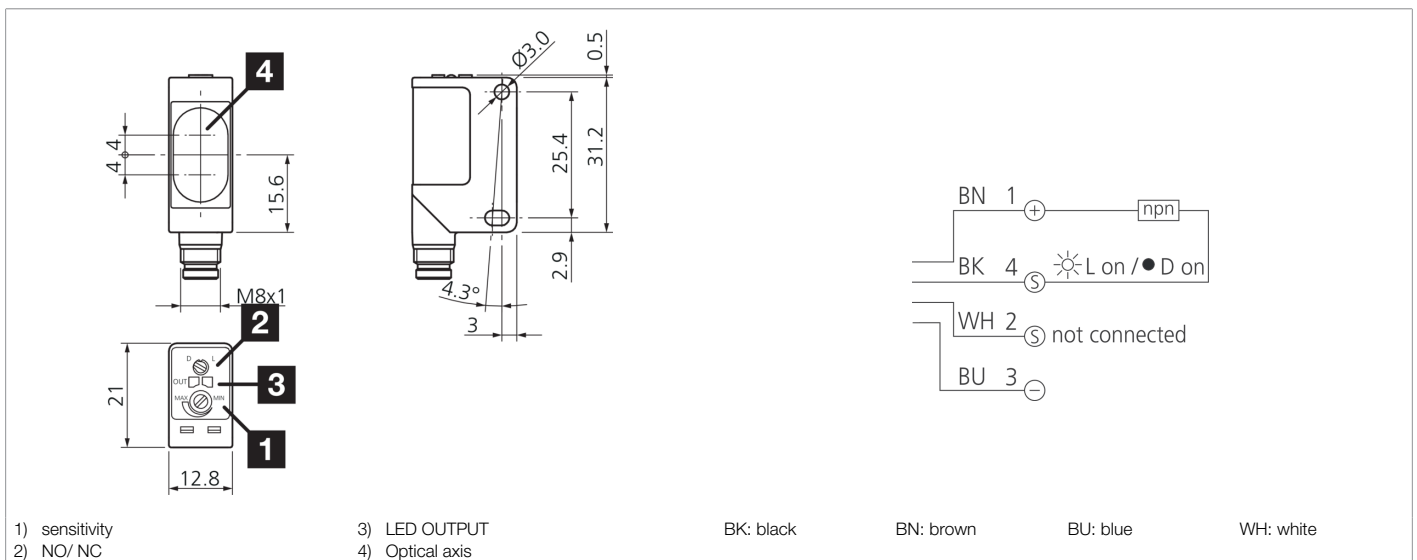


209248
OT 31 K 1000 N3-T4
Retroreflective diffuse sensor

- Compact design
- Red light
- Sensitivity is adjustable
- Switch for light/dark switching
- High scanning range
- Fully molded electronic circuitry, vibration-resistant
- Standardized hole spacing 25.4 mm



| Function | | | | | | | | | | |
|----------|--|--|--|--|--|--|--|--|--|----|
| | | | | | | | | | | CE |

| Technical data (typ.) | +20°C, 24 V DC |
|------------------------------|--|
| Service voltage | 10 ... 30 V DC |
| No-load current (max.) | 30 mA |
| Insulation voltage endurance | 1000 V |
| Housing dimensions | 31.2 x 21 x 12.8 mm |
| Housing length | 21 mm |
| Housing height | 31.2 mm |
| Housing width | 12.8 mm |
| Housing material | Plastic (PA, 6.6) |
| Material | PMMA (Window) |
| Protection class | III, operation on protective low voltage |
| Operating principle | Retroreflective diffuse sensor |
| Evaluation | digital |
| Design | Cuboid design |
| Switching output | npn, 100 mA, NO/NC, switchable |
| Voltage drop (max.) | 2 V |
| Light source | LED |
| Color | Red |
| Wavelength | 630 nm |
| Modulation | Clocked |

**209248****OT 31 K 1000 N3-T4****Retroreflective diffuse sensor**

| Technical data (typ.) | +20°C, 24 V DC |
|---------------------------------------|--|
| Ambient light immunity | 3 kLx Halogen light, 10 kLx Sunlight |
| Scanning range | 1000 mm |
| Standardized measuring plate | 400 x 400 mm (white) |
| Switching hysteresis (max.) | 10 % |
| Sensitivity adjustment | Potentiometer |
| Switching frequency | 1000 Hz |
| Response time | 0.50 ms |
| Release time | 0.50 ms |
| Ambient temperature during operation | -25 ... +70 °C |
| Temperature drift | 1 mm/K |
| Protection type | IP 67 |
| Connection | Connector, M8, 4-pin |
| Connection cable | TK ... /4 |
| More information / accessories | https://www.di-soric.com/209248 |