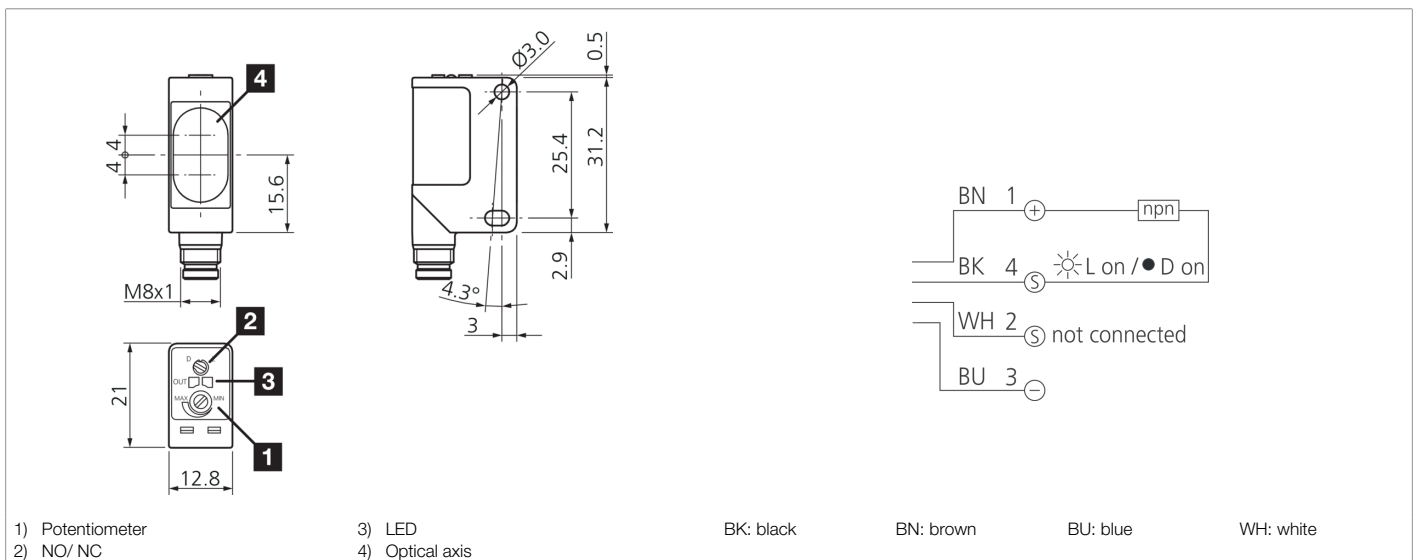




**209254**  
**OR 31 K 5000 N3-T4**  
**Retroreflective sensor**

- Compact design
- Red light
- Sensitivity is adjustable
- Switch for light/dark switching
- Long range
- Fully molded electronic circuitry, vibration-resistant
- Standardized hole spacing 25.4 mm



| Function |  |  |  |  |  |  |  |  |  |  |
|----------|--|--|--|--|--|--|--|--|--|--|
|          |  |  |  |  |  |  |  |  |  |  |

| Technical data (typ.)        | +20°C, 24 V DC                           |
|------------------------------|--|
| Service voltage              | 10 ... 30 V DC                           |
| No-load current (max.)       | 30 mA                                    |
| Insulation voltage endurance | 500 V                                    |
| Housing dimensions           | 31.2 x 21 x 12.8 mm                      |
| Housing length               | 21 mm                                    |
| Housing height               | 31.2 mm                                  |
| Housing width                | 12.8 mm                                  |
| Housing material             | Plastic (PA, 6.6)                        |
| Material                     | PMMA (Window)                            |
| Protection class             | III, operation on protective low voltage |
| Operating principle          | Retroreflective sensor                   |
| Evaluation                   | digital                                  |
| Design                       | Cuboid design                            |
| Switching output             | npn, 100 mA, NO/NC, switchable           |
| Voltage drop (max.)          | 2 V                                      |
| Light source                 | LED                                      |
| Color                        | Red                                      |
| Wavelength                   | 630 nm                                   |
| Modulation                   | Clocked                                  |



**209254**  
**OR 31 K 5000 N3-T4**  
**Retroreflective sensor**

| <b>Technical data (typ.)</b>          | <b>+20°C, 24 V DC</b>  |
|---------------------------------------|--|
| Ambient light immunity                | 3 kLx Halogen light, 10 kLx Sunlight   |
| Range                                 | 20 ... 5000 mm   |
| Referring reflector                   | Ø 84 mm, R 84  |
| Switching hysteresis (max.)           | 10 %   |
| Sensitivity adjustment                | Potentiometer  |
| Switching frequency                   | 2000 Hz  |
| Response time                         | 0.25 ms  |
| Release time                          | 0.25 ms  |
| Ambient temperature during operation  | -25 ... +70 °C   |
| Temperature drift                     | 1.5 mm/K   |
| Protection type                       | IP 67  |
| Connection                            | Connector, M8, 4-pin   |
| Connection cable                      | TK ... /4  |
| <b>More information / accessories</b> | <b><a href="https://www.di-soric.com/209254">https://www.di-soric.com/209254</a></b> |