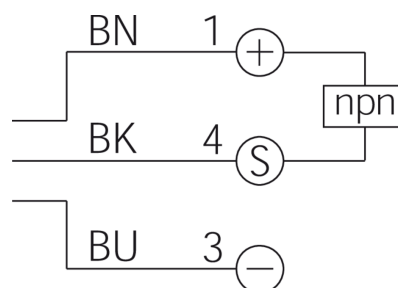
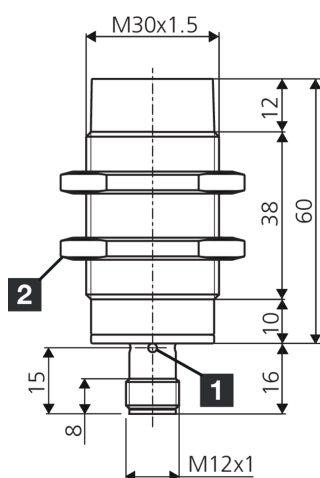
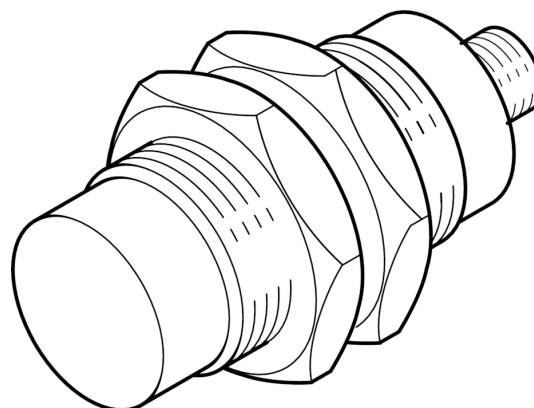
 **209386**
DCB 30 MN 20 NS-B3
Inductive proximity sensor

- Metal connector
- Integrated amplifier
- Short-circuit protection
- Starting pulse suppression
- 4 LEDs for switching status display



1) LED

2) Width over flats 36 mm

BK: black

BN: brown

BU: blue

Function



Technical data (typ.)

+20°C, 24 V DC

Service voltage 10 ... 30 V DC

Internal power consumption < 20 mA

Insulation voltage endurance 500 V

Installation type non-flush

Thread M30 x 1.5

Housing length 76 mm

Housing material Brass (nickel-plated)

Material PBT (Sensor probe)

Protection class III, operation on protective low voltage

Operating principle inductive

Evaluation digital

Design Thread

Characteristics increased operating distance

Product series INE Extended

Switching output npn, 400 mA, NO

Voltage drop (max.) 1 V (400 mA)

Switching distance (SN) 20 mm

Standardized measuring plate 60 x 60 x 1 mm

Switching hysteresis (max.) 1 ... 20 %

LED Anzeige Yes



209386

DCB 30 MN 20 NS-B3

Inductive proximity sensor

Technical data (typ.)

+20°C, 24 V DC

Switching frequency

200 Hz

Ambient temperature during operation

-25 ... +70 °C

Protection type

IP 67

Connection

Connector, M12, 3-pin, A-coded

Connection cable

VK ...

More information / accessories

<https://www.di-soric.com/209386>