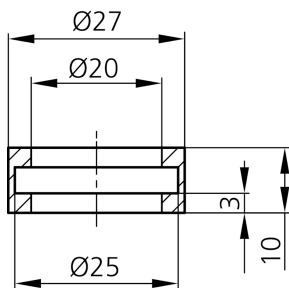
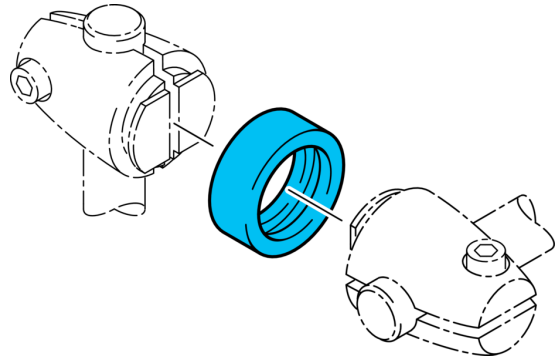




**209483**  
**HS-AR-KL-20**  
**Adapter ring**

- Highly flexible versatile mounting system
- Universal mounting
- Stepless adjustment
- Robust design



**Technical data (typ.)**

<b>+20°C</b>	
Dimension	Ø 20 / Ø 20 mm (Diameter Mounting pin / boring)
Housing material	Stainless steel (V4A, 1.4404 / AISI 316L - 1.4571 / AISI 316Ti)
Component	Adapter ring
Product series	Z-UBT-KL-MS Assembly system

**More information / accessories**

<https://www.di-soric.com/209483>