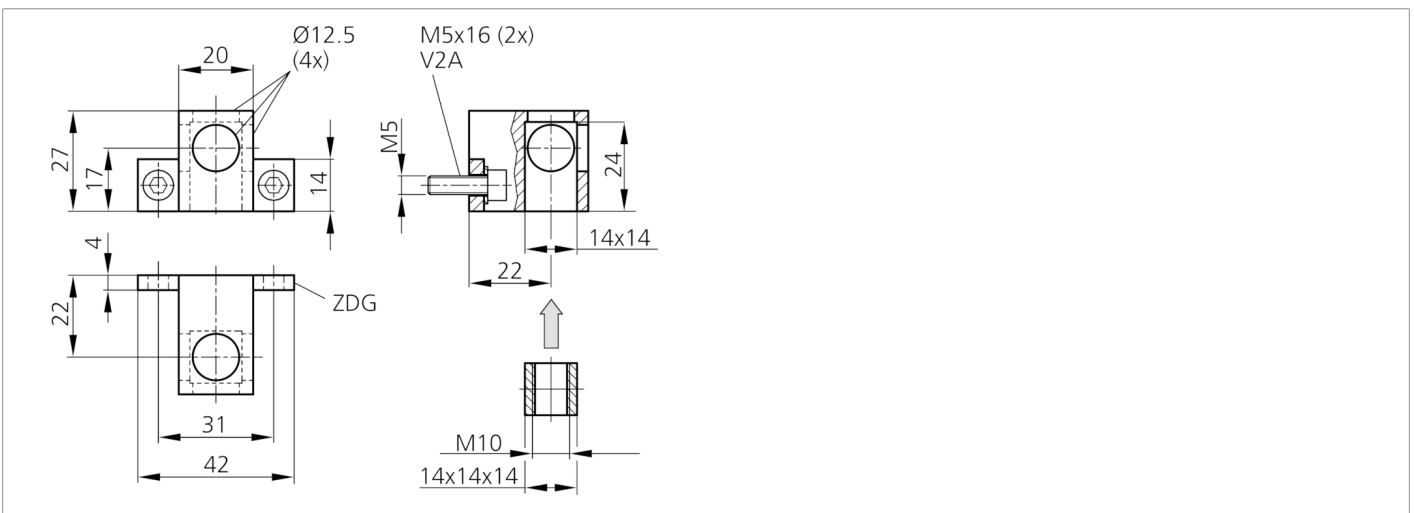
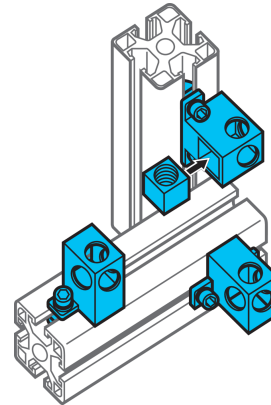


209485
HS-GH-12
Basic holder

- Highly flexible versatile mounting system
- Universal mounting
- Stepless adjustment
- Robust design



| Technical data (typ.) | | +20°C | |
|--------------------------------|--|---|-----------------------------|
| Dimension | | Thread: | M10 |
| Housing material | | Material: | Die-cast zinc |
| Component | | Part name: | Basic holder |
| Product series | | System: | Z-UBT-KL-MS Assembly system |
| More information / accessories | | https://www.di-soric.com/209485 | |