

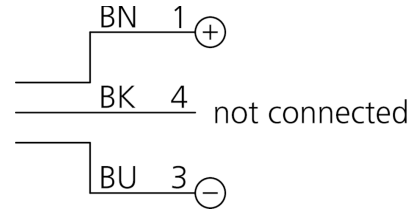
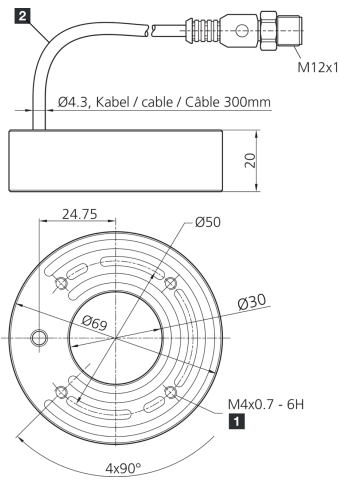


209554

BE-R30-G5-K-BS-CLR

Ringlight

- High light intensity thanks to state-of-the-art high power LEDs
- Very compact design
- Long life thanks to intelligent thermal management
- Homogeneous illumination
- Protection class IP 67
- Robust metal housing



1) 6 mm deep

2) Connection cable

BK: black

BN: brown

BU: blue

**Function**

--	--	--	--	--	--	--	--	--	--	--

**Technical data (typ.)**

**+20°C, 24 V DC**

Service voltage	24 V DC (Supply Class 2)
Power	4.6 W (24 V DC)
Insulation voltage endurance	500 V
Diameter	Ø 30 / Ø 69 mm (Diameter)
Height	20 mm
Housing material	Aluminum (Black, Anodized)
Material	<ul style="list-style-type: none"> <li>■ Polyurethane (Cable)</li> <li>■ PMMA, clear (Protection optics)</li> </ul>
Protection class	III, operation on protective low voltage
Risk group (DIN EN 62471)	Risk group 1
Approvals	UL
Design	Ringlight
Characteristics	State-of-the-art high power LEDs
Light source	LED
Color	White (clear)
Wavelength	6000 K
Deflection angle FWHM	80°
Light intensity	<ul style="list-style-type: none"> <li>■ 15.6 kLx (100.0 mm)</li> <li>■ 4.90 kLx (200.0 mm)</li> <li>■ 2.30 kLx (300.0 mm)</li> </ul>

**209554****BE-R30-G5-K-BS-CLR****Ringlight**

<b>Technical data (typ.)</b>	<b>+20°C, 24 V DC</b>
Shock/vibration load	30 g, 11 ms / 10 ... 55 Hz, 1.0 mm
Ambient temperature during operation	0 ... +40 °C
Protection type	IP 67
Connection	Pigtail, 0.3 m, M12, 3-pin
Connection cable	VK ...
<b>More information / accessories</b>	<b><a href="https://www.di-soric.com/209554">https://www.di-soric.com/209554</a></b>