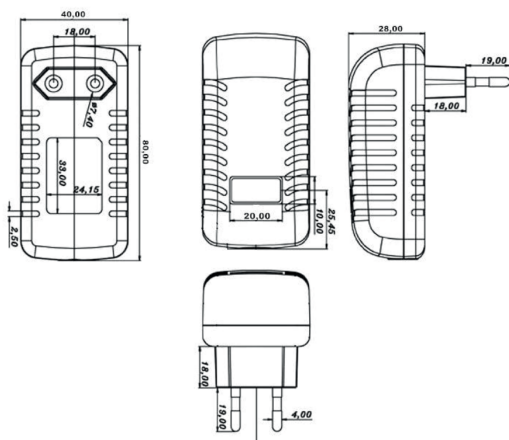




209745
ST-PS-12V
Power supply unit 12 V

- For a battery-saving power supply operation of the sensor tester ST 7PNG
- For test processes on sensors having a power consumption more than 60 mA



Function



Technical data (typ.)

+20°C, 24 V DC

Connection voltage	100 ... 240 V AC, 50 ... 60 Hz, 800 mA
Component	Power supply unit 12 V
To be used for	Sensor tester ST 7PNG
Output voltage	12 V DC (2000 mA)
Protection type	IP 20
Connection	1.4 m
Connection 2	Connector 3.5 mm / Socket 1.5 mm
Sensor-side connection	2-pin

More information / accessories

<https://www.di-soric.com/209745>