

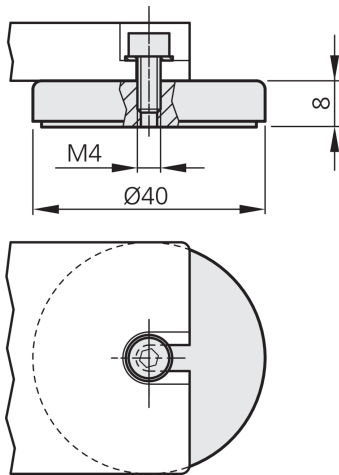
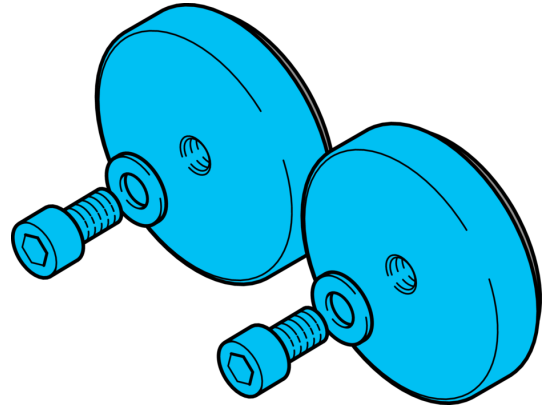


209863

MB-MHS-2

Magnetic holder set

- Quick and easy mounting
- Magnetic fastening
- Set consists of two magnetic holders and mounting material



Technical data (typ.)

Length / width	8 mm
Diameter	Ø 40 mm (Diameter)
Thread	M4
Housing material	Metal
Fastening force	9.0 kg (2x)
Component	Magnetic holder set
Design	Cylinder
Characteristics	Robust design
To be used for	MB-N ..., MB-NP ..., MB-RGBW ..., SB-RGB ...
Scope of delivery	2 Magnetic holders, Fixing material

More information / accessories

<https://www.di-soric.com/209863>