

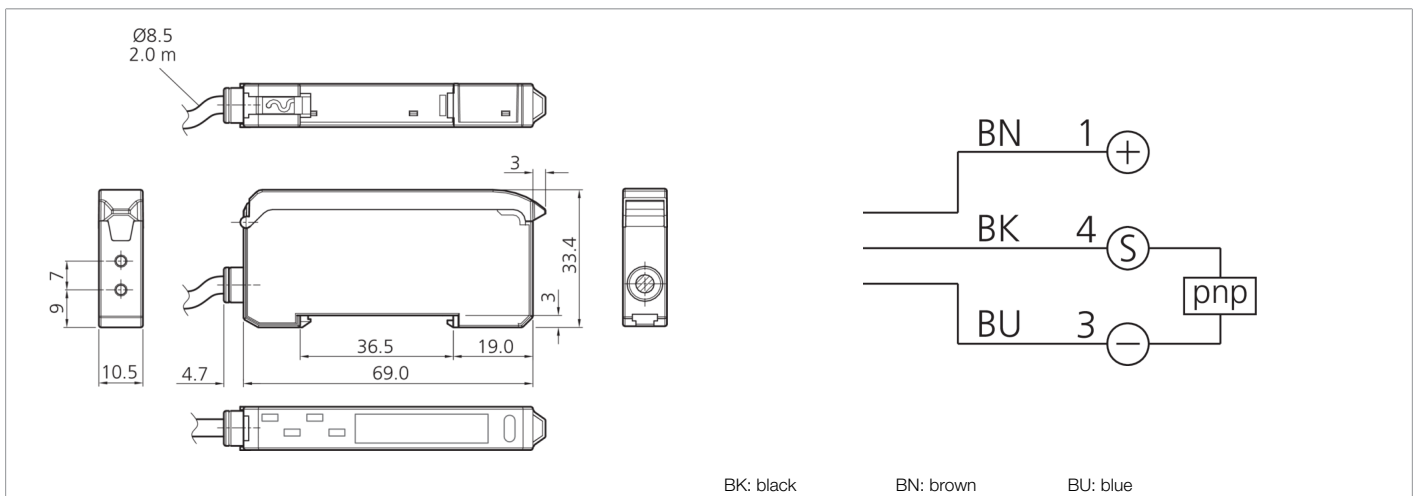


209976

OLK 71 P3-3

Plastic fiber-optic amplifier

- Long range
- Easy to operate
- Two digital LED displays for the target value and actual value
- Teach-in / fine manual adjustment
- Time function / offset function
- Switch for light/dark switching



Function											
										CE	

Technical data (typ.)	+20°C, 24 V DC
Service voltage	12 ... 24 V DC (± 10%)
No-load current (max.)	40 mA
Insulation voltage endurance	1000 V
Housing length	69 mm
Housing height	33.4 mm
Housing width	10.5 mm
Housing material	Plastic (ABS) / Plastic (PC)
Protection class	III, operation on protective low voltage
Amplifier for	2X2.2 mm plastic fiber optics
Evaluation	digital
Design	Cuboid design
Switching output	pnp, 100 mA, NO/NC, programmable
Light source	LED
Color	red
Wavelength	625 nm
Ambient light immunity	10 kLx
Operating elements	4
Sensitivity adjustment	Teach button
Display	Digital display
Switching frequency	1000 Hz / 800 Hz / 600 Hz / 400 Hz / 200 Hz
Response time	0.25 / 0.31 / 0.42 / 0.63 / 1.25 ms
Ambient temperature during operation	-10 ... +55 °C



209976

OLK 71 P3-3

Plastic fiber-optic amplifier

Technical data (typ.)

+20°C, 24 V DC

Protection type

IP 54

Connection

Cable, 2.0 m

More information / accessories

<https://www.di-soric.com/209976>