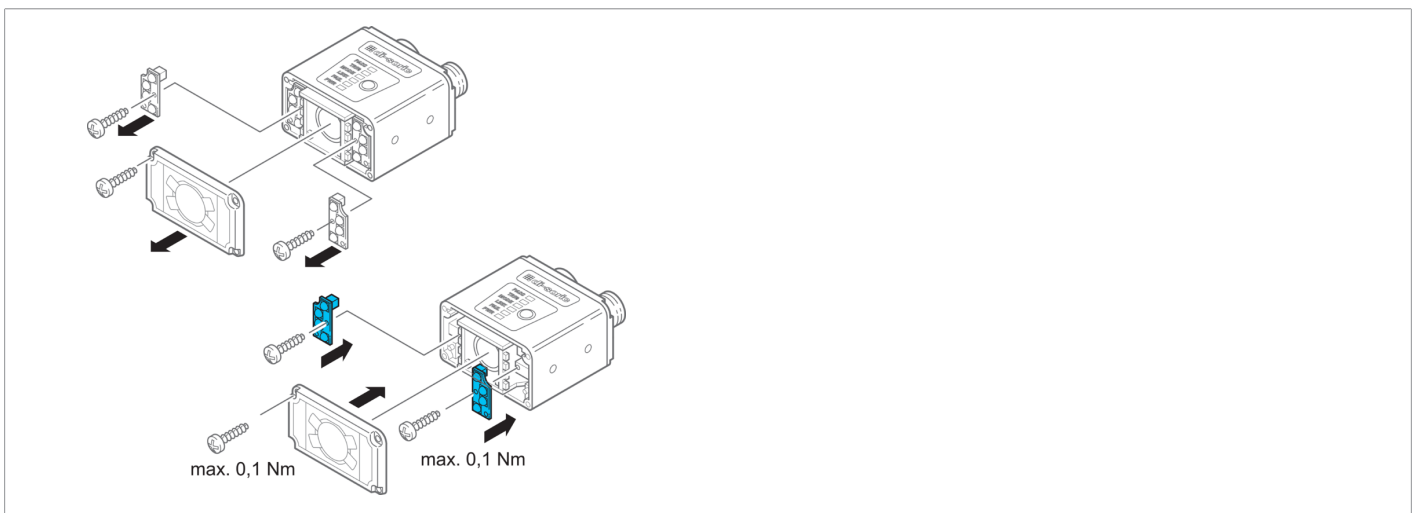
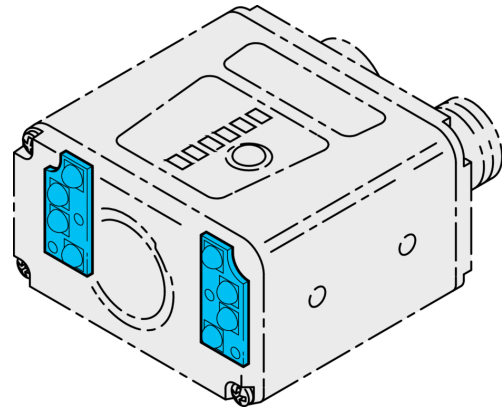




**210180**  
**BE-CS-G0**  
**LED board replacement kit, infrared**

- For mounting on CS 50



**Function**

													<b>CE</b>
--	--	--	--	--	--	--	--	--	--	--	--	--	-----------

**Technical data (typ.)**

**+20°C, 24 V DC**

Tightening torque (max.)	0.1 Nm
Component	LED board replacement kit, infrared
To be used for	CS 50 Vision Sensors
Light source	LED
Color	Infrared
Wavelength	850 nm

**More information / accessories**

<https://www.di-soric.com/210180>