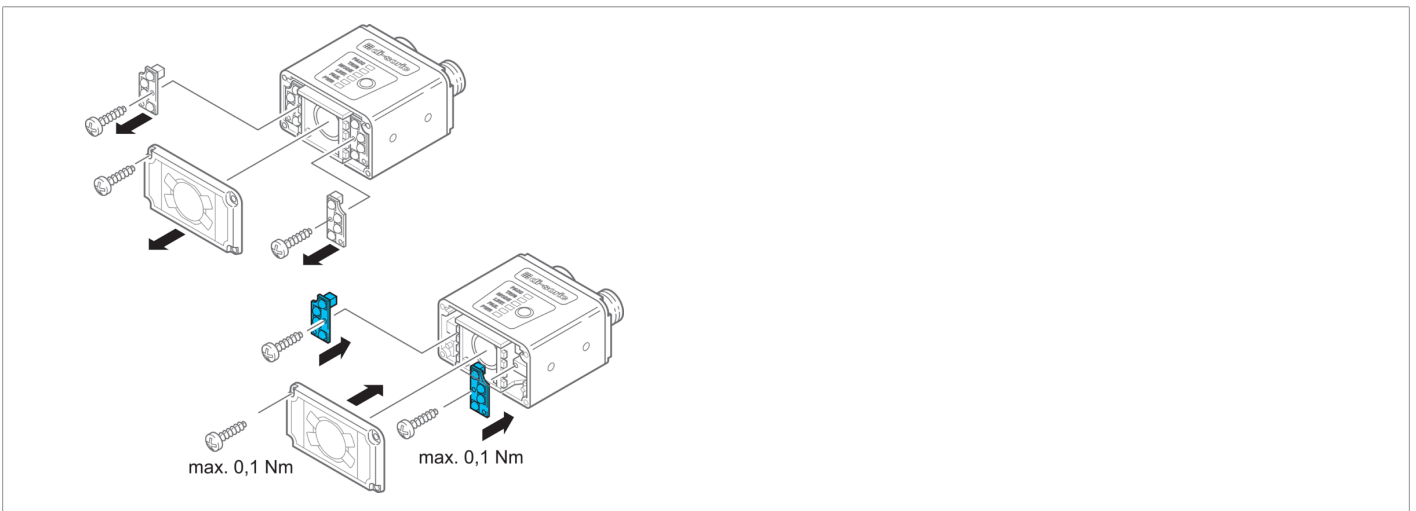
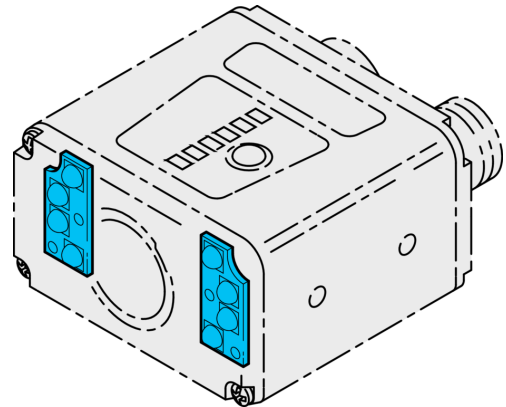




210182
BE-CS-G3
LED board replacement kit, blue

- For mounting on CS 50



Function

													
--	--	--	--	--	--	--	--	--	--	--	--	--	---

Technical data (typ.)

+20°C, 24 V DC

Tightening torque (max.)	0.1 Nm
Component	LED board replacement kit, blue
To be used for	CS 50 Vision Sensors
Light source	LED
Color	Blue
Wavelength	470 nm

More information / accessories

<https://www.di-soric.com/210182>