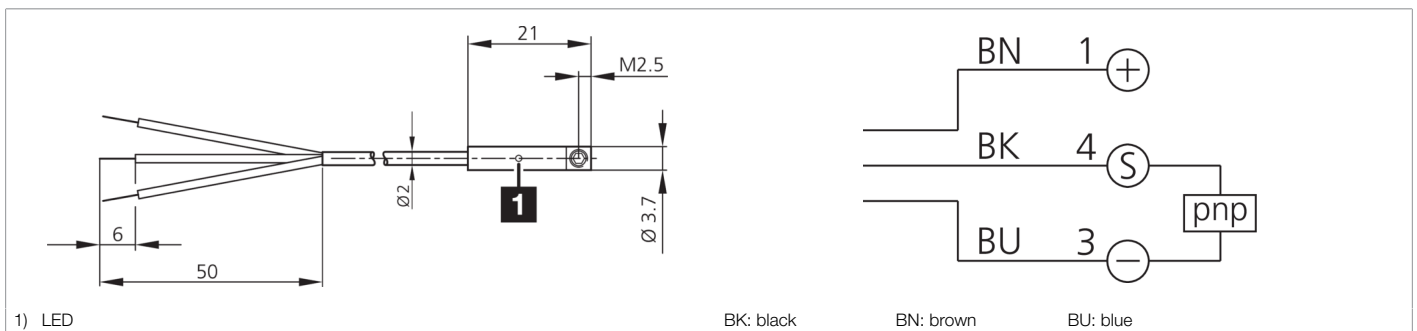




210597
MZEC3.7VPS-3/5M
Cylinder sensor

- For pneumatic cylinders with round groove 3.7 mm
- Short design
- Mounting element made of stainless steel
- Highly flexible cable
- Fully electronic
- High reproducibility
- High protection type



| Function | | | | | | | | | | | | |
|----------|--|--|--|--|--|--|--|--|--|--|--|--|
| | | | | | | | | | | | | |

| Technical data (typ.) | +20°C, 24 V DC |
|--------------------------------------|---|
| Current-carrying capacity | 100 mA, not short-circuit-proof, polarity-safe |
| Service voltage | 10 ... 30 V DC |
| No-load current (max.) | 12 mA |
| Insulation voltage endurance | 500 V |
| Cylinder groove | C-groove 3.7 mm, insertion in lateral direction of groove |
| Mounting | Locking screw (Allen screw SW 1.3 mm) |
| Housing material | Stainless steel (V2A 1.4305 / AISI 303) |
| Material of cable | TPU |
| Protection class | III, operation on protective low voltage |
| Switching output | pnp, 100 mA, NO |
| Voltage drop (max.) | 2 V |
| Switching capacity | < 3 W (30 V, 100 mA) |
| Reproducibility | < 0.1 mm |
| Display | LED yellow - Output signal |
| Switching frequency | 1000 Hz |
| Ambient temperature during operation | -20 ... +70 °C |
| Protection type | IP 67 |
| Connection | Cable, 5.0 m, 3-pin, 3 x 0.08 mm ² |

| More information / accessories | https://www.di-soric.com/210597 |
|--------------------------------|---|
|--------------------------------|---|