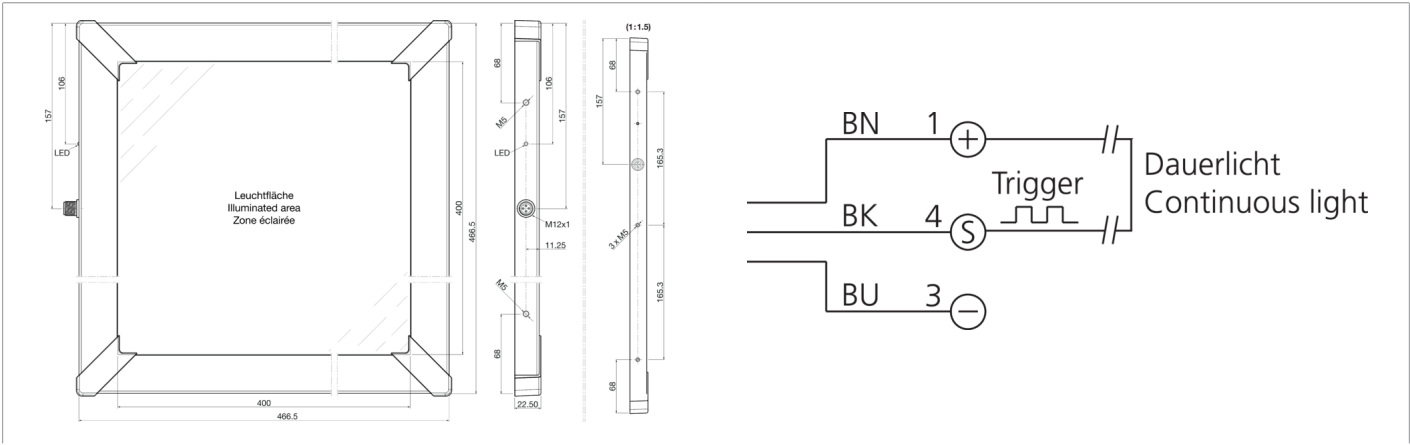
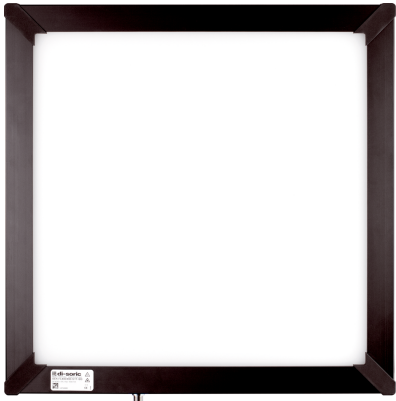




**211023**  
**BEK-FL400/400-G1T-IBS**  
**Area light**

- Extruded aluminum section bar
- Modular construction for individual sizes
- Constant level of light intensity over the entire voltage range
- Homogeneous luminous field
- External trigger input
- High efficiency



Function											

Technical data (typ.)	+20°C, 24 V DC
Service voltage	24 V DC ( $\pm 1.2$ V)
Inverse polarity protection	Yes
Illuminated area	400 x 400 mm
Housing dimensions	467 x 467 x 23 mm
Housing material	Aluminum (Black, Anodized)
Material	PMMA (Protection optics)
Weight	5500 g
Tightening torque	4 Nm
Protection class	III, operation on protective low voltage
Risk group (DIN EN 62471)	Free group
Approvals	UL
Design	Area light
Trigger input high level	> 3.3 V
Trigger input low level	< 2.9 V
Light source	LED
Color	Red
Wavelength	620 nm
Control	Integrated power control
Ambient temperature during operation	0 ... +40 °C
Protection type	IP 20
Connection	Connector, M12, 3-pin
Connection cable	VK ...



**211023**

**BEK-FL400/400-G1T-IBS**

**Area light**

[More information / accessories](#)

<https://www.di-soric.com/211023>