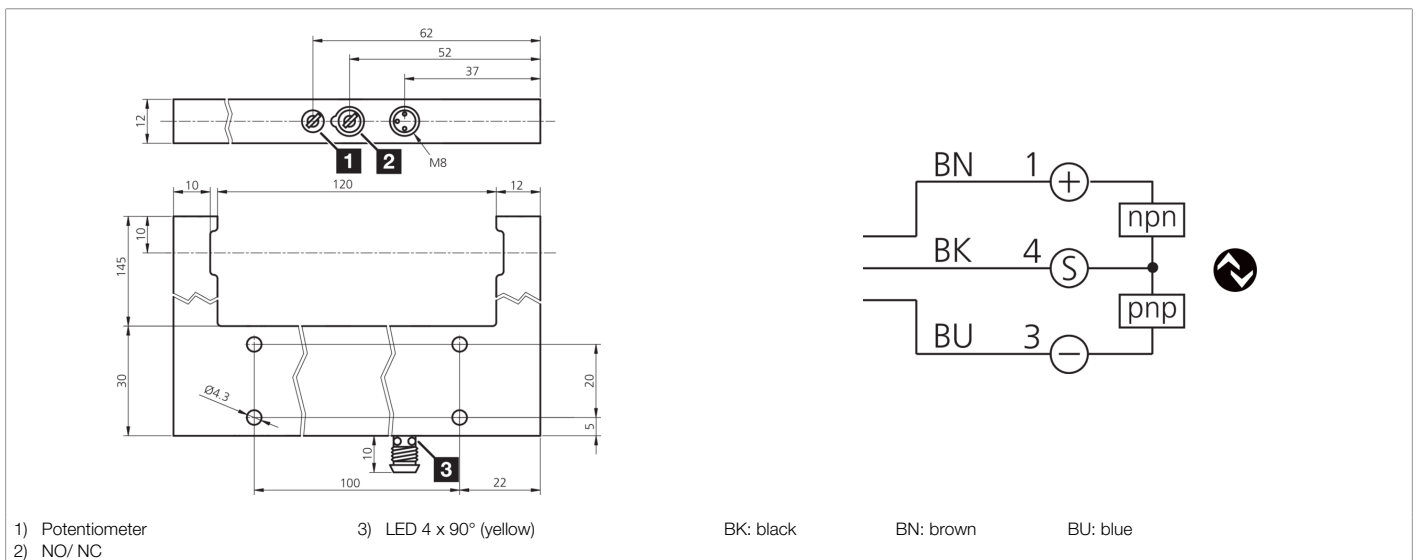




212817
OGU 121/145 G3-T3
Fork light barrier

- 4 operating modes as an IO-Link parameter
- Switch-on/off delay as an IO-Link parameter
- Diagnostics with IO-Link
- Metal casing
- Sensitivity is adjustable
- High switching frequency
- Light/dark switching
- Bright ring LED
- High protection type



Function										

Technical data (typ.)		+20°C, 24 V DC
Service voltage		10 ... 30 V DC (Supply Class 2)
No-load current (max.)		30 mA
Insulation voltage endurance		500 V
Leg length internal		145 mm
Housing dimensions		144 x 175 x 12 mm
Housing length		175 mm
Housing height		144 mm
Housing width		12 mm
Housing material		Aluminum (Black, Anodized)
Protection class		III, operation on protective low voltage
Approvals		UL
Operating principle		Optical
Evaluation		digital
Design		Fork
Operation modes		STANDARD, HIGH RESOLUTION, POWER, SPEED
Switching output		Push-pull, 100 mA, NO/NC, switchable
Interface		IO-Link (V1.1, COM2 38.4 kBd, Smart Sensor Profile)
Light source		LED
Color		red



212817
OGU 121/145 G3-T3
Fork light barrier

Technical data (typ.)	+20°C, 24 V DC
Modulation	Clocked
Fork opening	120 mm
Resolution (factory setting)	0.5 mm (STANDARD)
Reproducibility (factory setting)	0.02 mm (STANDARD)
Resolution (STANDARD)	0.5 mm
Reproducibility (STANDARD)	0.02 mm
Resolution (HIGH RESOLUTION)	0.3 mm
Reproducibility (HIGH RESOLUTION)	0.02 mm
Resolution (POWER)	1.5 mm
Reproducibility (POWER)	0.02 mm
Resolution (SPEED)	0.5 mm
Reproducibility (SPEED)	0.02 mm
Sensitivity adjustment	Potentiometer or IO-Link
Switching frequency (factory setting)	5000 Hz (STANDARD)
Switching frequency (STANDARD)	5000 Hz
Switching frequency (HIGH RESOLUTION)	1500 Hz
Switching frequency (POWER)	250 Hz
Switching frequency (SPEED)	8000 Hz
Ambient temperature during operation	-25 ... +60 °C
Protection type	IP 67
Connection	Connector, M8, 3-pin
Connection cable	TK ...
More information / accessories	https://www.di-soric.com/212817