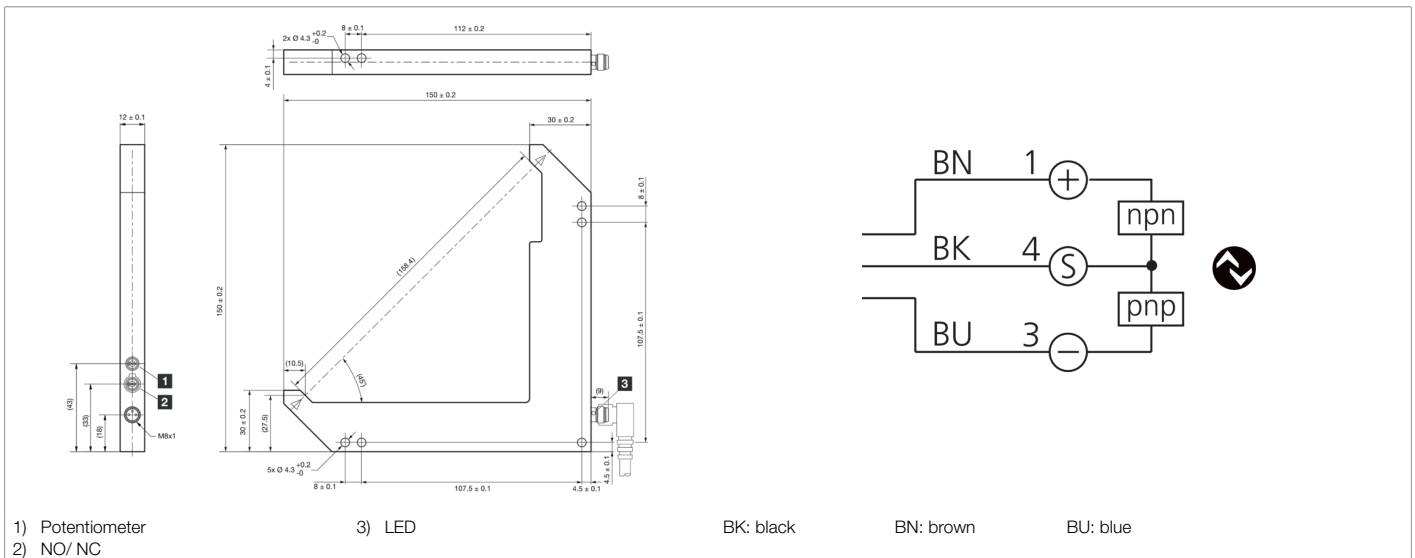




**212820**  
**OGLP 120 G3-T3**  
**High-performance angled light barriers**

- High function reserve
- Extremely dirt-resistant
- Collimator optics
- Optical axis approachable in x-, y- and z-direction
- Sensitivity is adjustable
- Light/dark switching



Function										

Technical data (typ.)	+20°C, 24 V DC
Service voltage	10 ... 30 V DC (Supply Class 2)
No-load current (max.)	30 mA
Insulation voltage endurance	500 V
Leg length internal	120/120 mm
Housing dimensions	150 x 150 x 12 mm
Housing length	150 mm
Housing height	150 mm
Housing width	12 mm
Housing material	Die-cast zinc (powder-coated)
Protection class	III, operation on protective low voltage
Approvals	UL
Operating principle	Optical
Evaluation	digital
Design	Angle
Switching output	Push-pull, 100 mA, NO/NC
Voltage drop (max.)	1 V
Interface	IO-Link
Light source	LED
Color	Infrared



**212820**

**OGLP 120 G3-T3**

**High-performance angled light barriers**

<b>Technical data (typ.)</b>	<b>+20°C, 24 V DC</b>
Wavelength	860 nm
Modulation	Clocked
Ambient light immunity	25 kLx
Range	158 mm (optical axis)
Resolution (factory setting)	2 mm (POWER)
Reproducibility (factory setting)	0.03 mm (POWER)
Resolution (STANDARD)	0.5 mm
Reproducibility (STANDARD)	0.02 mm
Resolution (HIGH RESOLUTION)	0.4 mm
Reproducibility (HIGH RESOLUTION)	0.02 mm
Resolution (POWER)	2 mm
Reproducibility (POWER)	0.03 mm
Resolution (SPEED)	0.5 mm
Reproducibility (SPEED)	0.02 mm
Sensitivity adjustment	Potentiometer
Switching frequency (factory setting)	200 Hz (POWER)
Switching frequency (STANDARD)	5000 Hz
Switching frequency (HIGH RESOLUTION)	1500 Hz
Switching frequency (POWER)	200 Hz
Switching frequency (SPEED)	8000 Hz
Ambient temperature during operation	-25 ... +60 °C
Protection type	IP 67
Connection	Connector, M8, 3-pin
Connection cable	TK ...
<b>More information / accessories</b>	<b><a href="https://www.di-soric.com/212820">https://www.di-soric.com/212820</a></b>