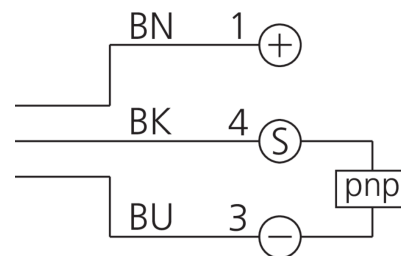
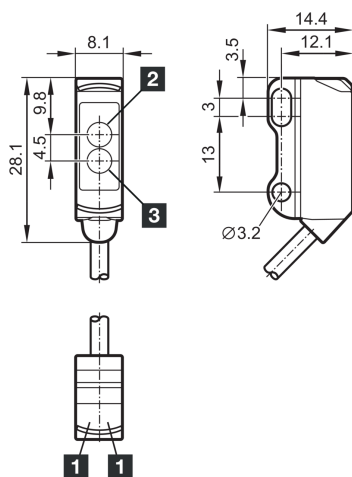




212985
OR21-PS-2C
Retroreflective sensor

- Miniature design
- Mounting element made of metal
- High switching frequency
- Long range
- IO-Link
- Diagnostic function reserve



1) LED
 2) Receiver

3) Transmitter

BK: black

BN: brown

BU: blue

Function



Technical data (typ.)

+20°C, 24 V DC

Service voltage	10 ... 30 V DC
No-load current (max.)	20 mA
Inverse polarity protection	Yes
Housing dimensions	28.1 x 8.1 x 14.4 mm
Housing length	8.1 mm
Housing height	28.1 mm
Housing width	14.4 mm
Housing material	Stainless steel / Plastic
Material of cable	PVC
Material	Plastic (Window / optics)
Weight	37 g
Protection class	III, operation on protective low voltage
Approvals	UL
Operating principle	Retroreflective sensor
Evaluation	digital
Design	Cuboid design
Switching output	pnp, 100 mA, NO/NC, configurable
Voltage drop (max.)	2.5 V
Interface	IO-Link (V1.1, COM2 38.4 kBd, Smart Sensor Profile)
Light source	LED



212985
OR21-PS-2C
Retroreflective sensor

Technical data (typ.)	+20°C, 24 V DC
Color	red
Wavelength	633 nm
Modulation	Clocked
Light spot size	Ø 120 mm (at distance of 1800 mm)
Range	20 ... 1800 mm (configurable)
Standardized measuring plate	200 x 200 mm (white)
Referring reflector	R 19 x 54 mm
Sensitivity adjustment	IO-Link
Display	LED Green - Operation, yellow - Switching output
Switching frequency	1000 Hz
Ambient temperature during operation	-25 ... +60 °C
Protection type	IP 65 / IP 67
Connection	Cable, 2.0 m, 3-pin
More information / accessories	https://www.di-soric.com/212985