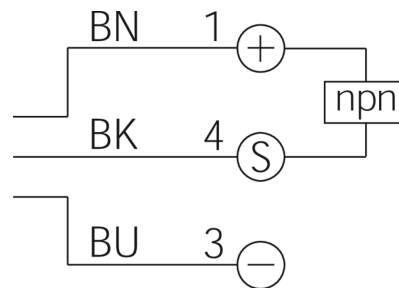
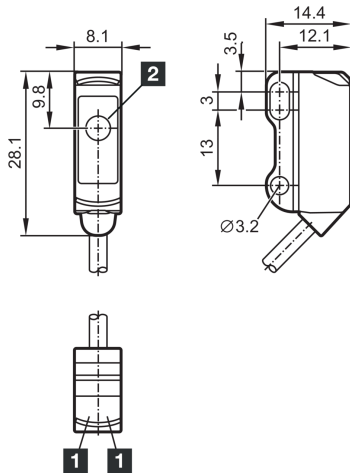




**212992**  
**OE21-NS-2C**  
**Through-beam sensor, receiver**

- Miniature design
- Mounting element made of metal
- High switching frequency
- Long range



1) LED

2) Receiver

BK: black

BN: brown

BU: blue

**Function**



**Technical data (typ.)**

**+20°C, 24 V DC**

Service voltage	10 ... 30 V DC
Inverse polarity protection	Yes
Housing dimensions	28.1 x 8.1 x 14.4 mm
Housing length	8.1 mm
Housing height	28.1 mm
Housing width	14.4 mm
Housing material	Stainless steel / Plastic
Material of cable	PVC
Material	Plastic (Window / optics)
Weight	37 g
Protection class	III, operation on protective low voltage
Approvals	UL
Operating principle	Through-beam sensor
Evaluation	digital
Design	Cuboid design
Consisting of	Receiver
Switching output	npn, 100 mA, NO
Voltage drop (max.)	2.5 V
Light source	LED
Range	3000 mm



**212992**

**OE21-NS-2C**

**Through-beam sensor, receiver**

<b>Technical data (typ.)</b>	<b>+20°C, 24 V DC</b>
Standardized measuring plate	200 x 200 mm (white)
Sensitivity adjustment	no setting elements
Display	LED Green - Status, yellow - Switching output
Switching frequency	1000 Hz
Ambient temperature during operation	-25 ... +60 °C
Protection type	IP 65 / IP 67
Connection	Cable, 2.0 m, 3-pin
<b>More information / accessories</b>	<b><a href="https://www.di-soric.com/212992">https://www.di-soric.com/212992</a></b>