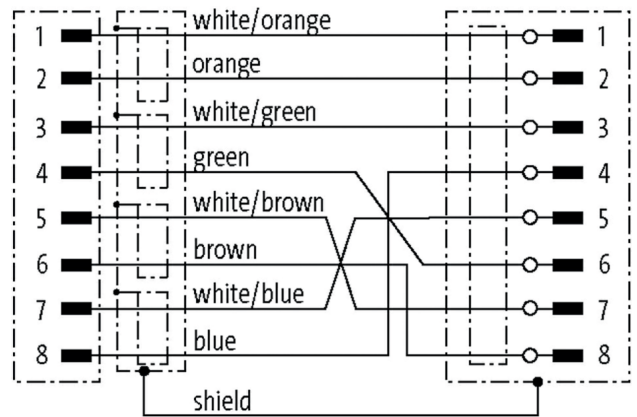
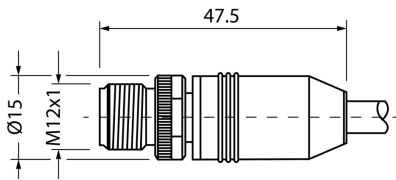
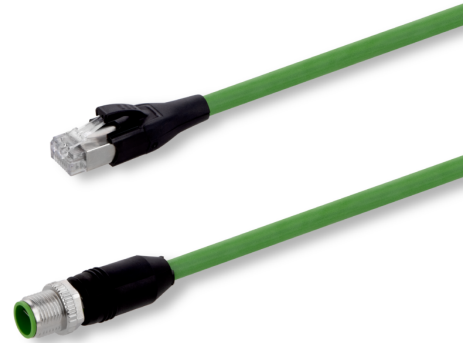




213089
VSHM-Z-15/RJ45-X
Connection cable Ethernet



Function



Technical data (typ.)

+20°C, 24 V DC

Service voltage	30 V DC
Length	15,000 mm
Material of cable	Polyurethane
Drag chain properties	10 x Ø (Min. bending radius)
Protection class	III, operation on protective low voltage
Design	Straight / straight
To be used for	CS 60 Vision Sensors
Drag chain compatible	Yes
LED Anzeige	No
Ambient temperature during operation	-40 ... +80 °C
Protection type	IP 20
Connection	Connector, M12, 8-pin, X-coded
Connection 2	Connector, RJ 45, 8-pin

More information / accessories

<https://www.di-soric.com/213089>