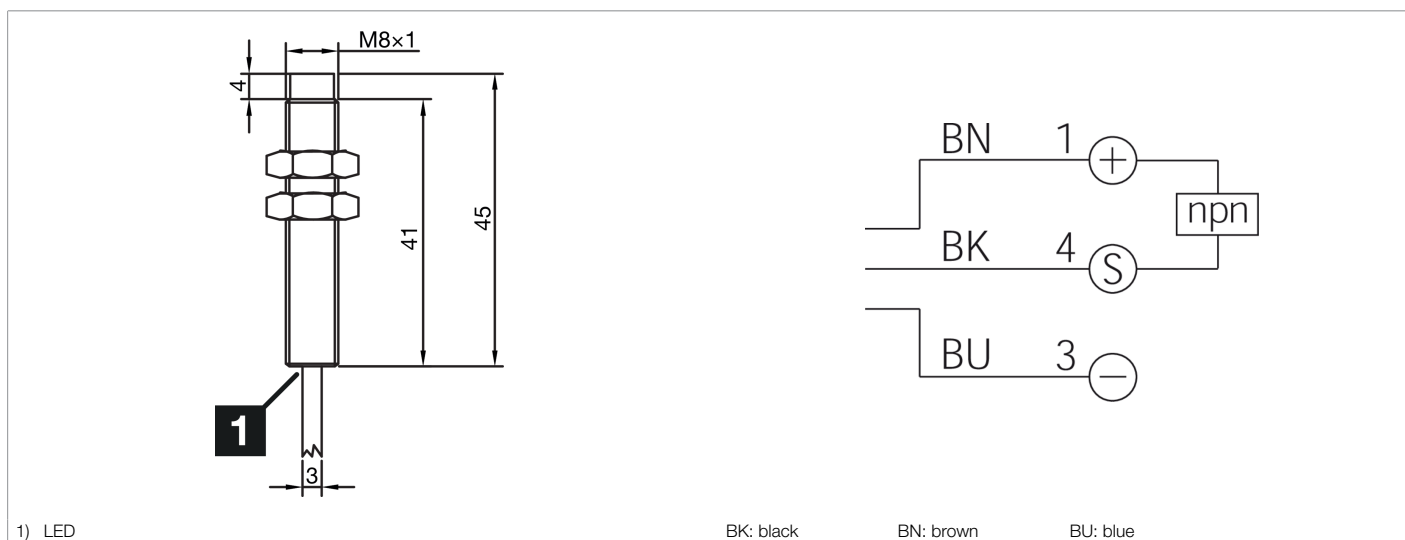


213132
INS-M08-N02NS-2C
Inductive proximity sensor

- Single switching distance
- Highly flexible cable
- Short-circuit protection
- LED switching status display
- High protection type



Function



Technical data (typ.)

+20°C, 24 V DC

Service voltage	10 ... 30 V DC
Internal power consumption	10 mA
Insulation voltage endurance	< 500 V DC
Installation type	non-flush
Thread	M8 x 1
Housing length	45 mm
Housing material	Stainless steel (V2A)
Material of cable	PVC
Protection class	III, operation on protective low voltage
Operating principle	inductive
Evaluation	digital
Design	Thread
Characteristics	Single switching distance
Product series	INS-100 Standard
Switching output	npn, 200 mA, NO
Voltage drop (max.)	1.5 V DC
Switching distance (SN)	2 mm
Standardized measuring plate	8 x 8 x 1 mm
Switching hysteresis (max.)	< 10 %
LED Anzeige	Yes



213132

INS-M08-N02NS-2C

Inductive proximity sensor

Technical data (typ.)

+20°C, 24 V DC

Switching frequency

1000 Hz

Ambient temperature during operation

-25 ... +70 °C

Protection type

IP 67

Connection

Cable, 2.0 m (flying leads)

More information / accessories

<https://www.di-soric.com/213132>