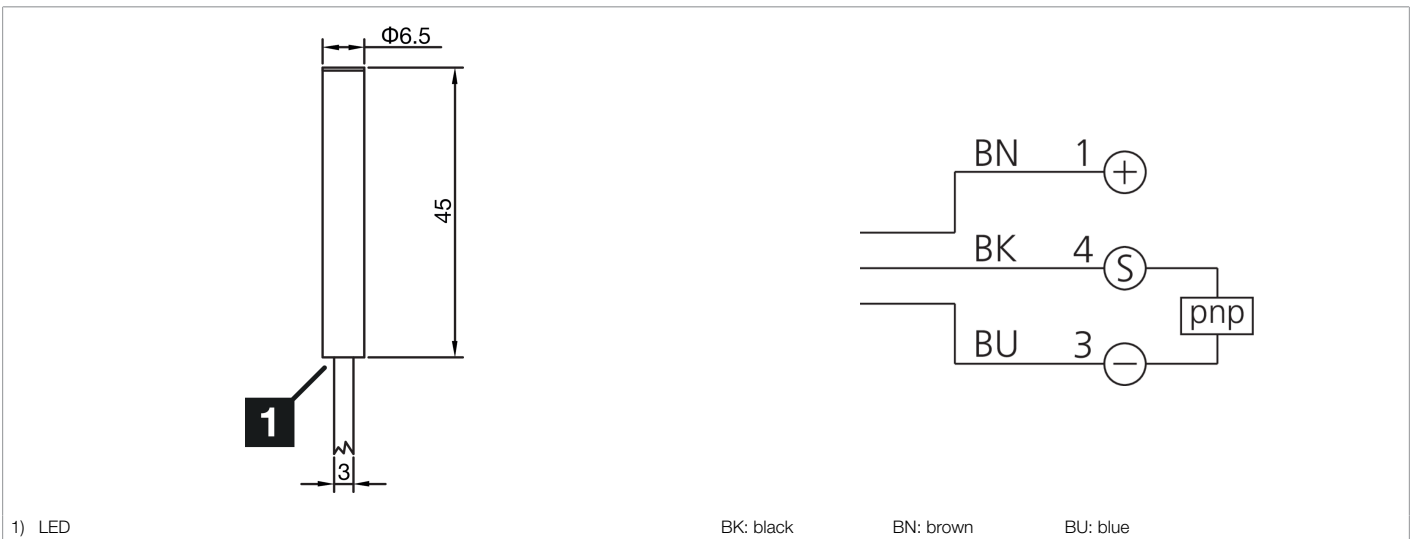


213201
INSM-6D5-B01PS-2C
Inductive proximity sensor

- Single switching distance
- Highly flexible cable
- Short-circuit protection
- LED switching status display
- High protection type



Function													

Technical data (typ.)	+20°C, 24 V DC
Service voltage	10 ... 30 V DC
Internal power consumption	10 mA
Insulation voltage endurance	< 500 V DC
Installation type	Flush
Diameter	Ø 6.5 mm (Diameter)
Housing length	45 mm
Housing material	Stainless steel (V2A)
Material of cable	PVC
Protection class	III, operation on protective low voltage
Operating principle	inductive
Evaluation	digital
Design	Cylinder
Characteristics	Single switching distance
Product series	INS-100 Standard
Switching output	pnp, 200 mA, NO
Voltage drop (max.)	1.5 V DC
Switching distance (SN)	1 mm
Standardized measuring plate	6.5 x 6.5 x 1 mm
Switching hysteresis (max.)	< 10 %
LED Anzeige	Yes

 213201

INSM-6D5-B01PS-2C

Inductive proximity sensor

Technical data (typ.)**+20°C, 24 V DC**

Switching frequency

2000 Hz

Ambient temperature during operation

-25 ... +70 °C

Protection type

IP 67

Connection

Cable, 2.0 m (flying leads)

More information / accessories<https://www.di-soric.com/213201>