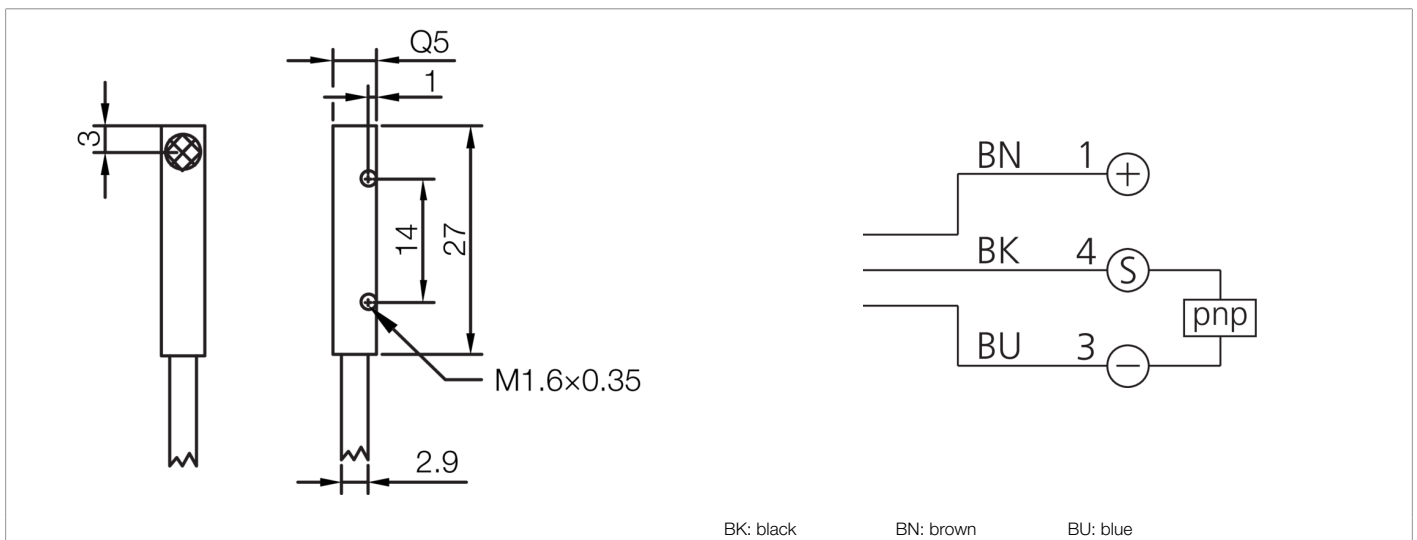
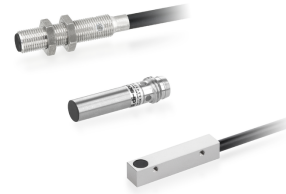




**213247**  
**INSM-Q05-B01PO-2C**  
**Inductive proximity sensor**

- Double switching distance
- Highly flexible cable
- Short-circuit protection
- LED switching status display
- High protection type



Function												
												 

Technical data (typ.)	+20°C, 24 V DC
Service voltage	10 ... 30 V DC
Internal power consumption	10 mA
Insulation voltage endurance	< 500 V DC
Installation type	Flush
Housing dimensions	5 x 5 mm
Housing length	27 mm
Housing height	5 mm
Housing width	5 mm
Housing material	Brass (nickel-plated)
Material of cable	PVC
Protection class	III, operation on protective low voltage
Operating principle	inductive
Evaluation	digital
Design	Cuboid design
Characteristics	Double switching distance
Product series	INM-300 Miniature Extended
Switching output	pnp, 200 mA, NC
Voltage drop (max.)	1.5 V DC
Switching distance (SN)	1 mm
Standardized measuring plate	5 x 5 x 1 mm



**213247**

**INSM-Q05-B01PO-2C**

**Inductive proximity sensor**

<b>Technical data (typ.)</b>	<b>+20°C, 24 V DC</b>
Switching hysteresis (max.)	< 15 %
LED Anzeige	Yes
Switching frequency	2000 Hz
Ambient temperature during operation	-25 ... +70 °C
Protection type	IP 67
Connection	Cable, 2.0 m (flying leads)
<b>More information / accessories</b>	<b><a href="https://www.di-soric.com/213247">https://www.di-soric.com/213247</a></b>