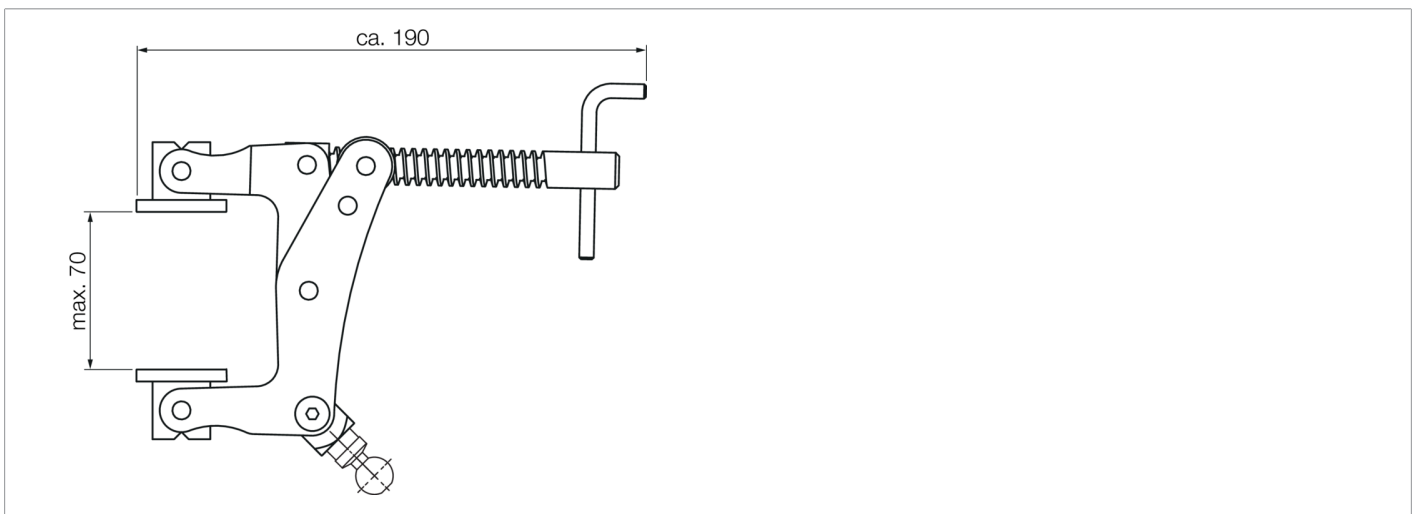




213326
HS-AG-NG-KL-VS-M6
Clamp

- Robust, highly flexible
- Exact and simple fixing
- Quick and easy mounting



Technical data (typ.)	
Housing dimensions	190 x 160 mm
Load capacity	60 N / 6 kg
Housing material	Aluminum
Component	Clamp
To be used for	Z-UBT-KU-MS
Product series	Z-UBT-KU-MS Assembly system
Scope of delivery	Ball head, Adapter screw, Clamp
More information / accessories	
	https://www.di-soric.com/213326