

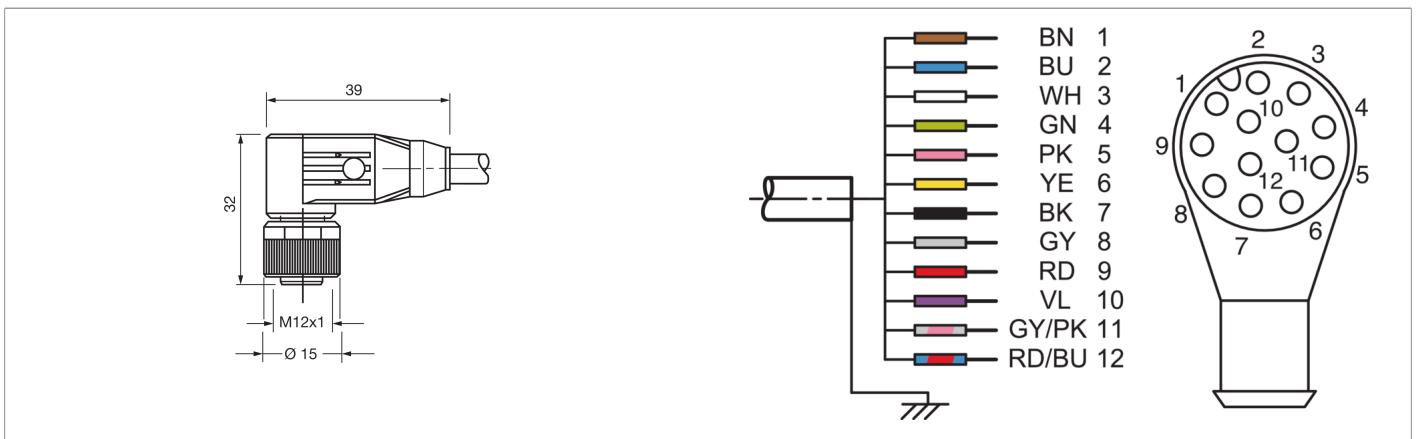


213333

VKPM-W-5/12-A-CS60

Connection cable

- Shielded
- Sturdy metal union nut
- Flexible lead design
- Good stripping properties
- High protection type
- For CS-60 Vision Sensors



**Function**

--	--	--	--	--	--	--	--	--	--	--

**Technical data (typ.)**

**+20°C, 24 V DC**

Service voltage	< 30 V AC/DC
Length	5,000 mm
Diameter	Ø 6.5 mm (Diameter)
Thread	M12 x 1
Material	PVC (Cable)
Drag chain properties	10 x Ø (Min. bending radius)
Protection class	III, operation on protective low voltage
Component	Connection cable
Design	Angled / open cable end
Characteristics	Shielded, Metal nut
To be used for	CS 60 Vision Sensors
Ambient temperature during operation	-5 ... +80 °C (Movable, Fixed)
Protection type	IP 67 (at tightening torque 0.6 Nm)
Connection	Socket, M12, 12-pin, 12 x 0.14 mm <sup>2</sup>
Connection 2	flying leads

**More information / accessories**

<https://www.di-soric.com/213333>