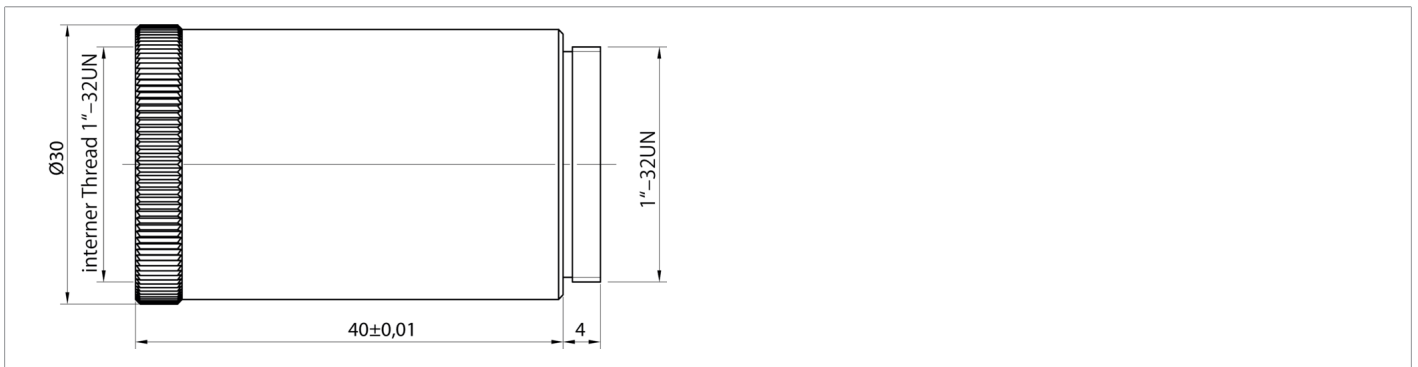



**213442**  
**O-ER-400**  
**Spacer ring**

- For adjusting the working distance of lenses
- Robust design
- Easy to install



**Technical data (typ.)**

Housing material	Aluminum (Black, Anodized)
Lens connection	C-mount
Protection class	EC003015
Component	Spacer ring
To be used for	Vision Systems and ID Systems
Scope of delivery	1 pieces
Spacer distance (mm)	40.0 mm

**More information / accessories**

<https://www.di-soric.com/213442>