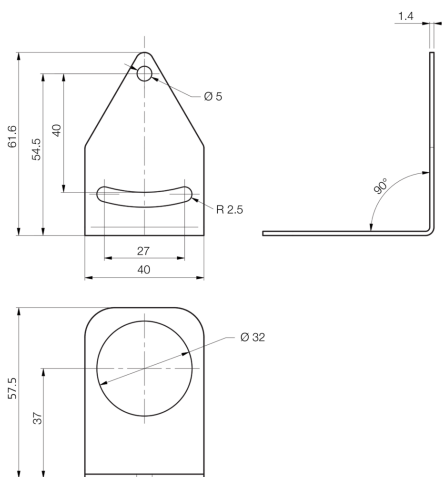




**213761**  
**SBT-BW-M30**  
**Mounting bracket**

- Adjustable
- Robust design



**Technical data (typ.)**

Housing dimensions	62 x 58 x 40 mm
Housing material	steel (stainless)
Component	Mounting bracket
Design	Angle
To be used for	SBX-xxx
Scope of delivery	Mounting bracket

**More information / accessories**

<https://www.di-soric.com/213761>